

RESOLUTION No.15-117

A RESOLUTION OF THE MAYOR AND THE CITY COUNCIL OF THE CITY OF DORAL, FLORIDA, AUTHORIZING THE CITY MANAGER TO EXTEND THE EXISTING AGREEMENT WITH FLORIDA POWER AND LIGHT FIBERNET FOR THE PROVISION OF EXPANDED AND ENHANCED FIBER OPTIC HIGH AVAILABILITY SERVICES TO ALL FACILITIES IN THE CITY'S WIDE AREA NETWORK, IN AN AMOUNT NOT TO EXCEED \$183,600.00 PER YEAR FOR A PERIOD OF FIVE (5) YEARS; APPROVING ALLOCATIONS FOR THE NEXT FIVE (5) FISCAL YEARS FOR ESTIMATED MONTHLY RECURRING COSTS ASSOCIATED WITH THE PROVISION OF INCREASED BANDWIDTH INTERNET SERVICE; AUTHORIZING THE CITY MANAGER TO EXPEND BUDGETED FUNDS; PROVIDING FOR IMPLEMENTATION; AND PROVIDING FOR AN EFFECTIVE DATE

WHEREAS, the City of Doral's (the "City") current lease with AT&T Metro-E Telecommunications for the City's Wide Area Network ("WAN") is no longer being offered and the current Ethernet bandwidth speed (100Mb) is not sufficient in order to provide high availability of services, including, but not limited to, the City's virtual server environment and off premise backups of citywide data; and

WHEREAS, the City's Information Technology ("IT") Department is focused on enhancing the WAN architecture, with such efforts as, without limitation, data center consolidation, server virtualization technology, mirroring of our storage area networks, and enhancing our disaster recovery capabilities at the NAP, our colocation facility; and

WHEREAS, industry standards for WAN bandwidth speeds are changing rapidly, with 1 Gigabyte ("GbE") currently being the standard, which will quickly give way to 10 GbE speeds followed by 100 GbE speeds in the next five (5) years; and

WHEREAS, after careful deliberation, staff has recommended improving the WAN to adopted 1GbE bandwidth to deliver improved performance, availability, and management,

which is key to City's Enterprise WAN roadmap, and allow for infrastructure that will support a viable cloud computing environment, SaaS applications, support site failover, and will be scalable and we can grow over time; and

WHEREAS, a review of proposals from potential service providers revealed that AT&T's current service can not offer the required level of speed and fails to offer redundancy, diversity, and internet access or business continuity services, and, additionally, the use of different WAN services provided by AT&T, FPL FiberNet, Comcast and XO Communications do not provide a cohesive network infrastructure because each company has diverse operating procedures, escalation protocols and minimal effectiveness when issues arise; and

WHEREAS, the City has a current contract with FPL FiberNet ("FPL FiberNet Agreement"), which is attached hereto as Exhibit "A" and incorporated herein and made a part hereof by this reference, to provide fiber services to several City facilities, and an expansion of that Agreement would provide all the City's facilities with the capability to expand the WAN infrastructure in the manner desired; and

WHEREAS, staff has recommended an expansion of the FPL FiberNet Agreement to include the provision of fiber optic high availability services to all facilities in the city's Wide Area Network, in an amount not to exceed \$183,600 per year for a period of five (5) years, which will have an estimated yearly cost for 1GbE diverse configuration with internet starting in FY2016 is \$178,000; and 10GB diverse configurations with internet starting in FY2019 is \$183,600; and the MRC charged for the series shall be reduced 20% for an additional (3) one year renewals.

WHEREAS, the City Council find that it is in the best interests of the City to proceed as recommended by the administration to improve the City's technology infrastructure.

NOW, THEREFORE, BE IT RESOLVED BY THE CITY COUNCIL OF THE CITY OF DORAL, FLORIDA, AS FOLLOWS:

Section 1. Recitals. The above recitals are confirmed, adopted, and incorporated herein and made a part hereof by this reference.

Section 2. Approval of Expansion of FPL FiberNet Agreement. Expansion of the FPL FiberNet Agreement is hereby approved in accordance with the FPL proposal, attached hereto as Exhibit "B", which is incorporated herein and made a part hereof by this reference, in an amount not to exceed \$183,600 per year for a period of five (5) years.

Section 3. Approval of Goods and Services. The procurement of WAN service with the estimated yearly cost of \$178,000 for 1GbE diverse configuration with internet starting in FY2016 and \$183,600 for 10GB diverse configurations with internet is hereby approved, with the understanding that the monthly recurring costs incurred for the series shall be reduced 20% for an additional (3) one year renewals.

Section 4. Authorization. The City Manager is hereby authorized to execute such agreements and other contractual documents, subject to approval by the City Attorney as to form and legal sufficiency, as may be necessary to consummate the procurement of the good and services contemplated herein. The City Manager is further authorized to expend remaining grant funds.

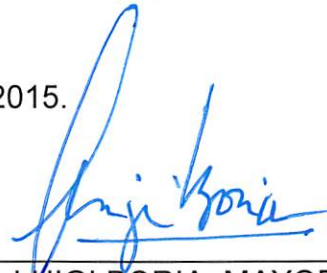
Section 5. Implementation. The City Manager and City Attorney are hereby authorized to take such further action as may be necessary to implement the purpose and provisions of this Resolution.

Section 6. Effective Date. This Resolution shall take effect immediately upon adoption.

The foregoing Resolution was offered by Councilmember Cabrera who moved its adoption. The motion was seconded by Councilmember Rodriguez and upon being put to a vote, the vote was as follows:

Mayor Luigi Boria	Yes
Vice Mayor Sandra Ruiz	Yes
Councilman Pete Cabrera	Yes
Councilwoman Christi Fraga	Yes
Councilwoman Ana Maria Rodriguez	Yes

PASSED AND ADOPTED this 9 day of June, 2015.



LUIGI BORIA, MAYOR

ATTEST:



CONNIE DIAZ, CITY CLERK

APPROVED AS TO FORM AND
LEGAL SUFFICIENCY FOR THE SOLE USE
OF THE CITY OF DORAL



WEISS, SEROTA, HELFMAN, COLE, & BIERMAN, PL
CITY ATTORNEY

EXHIBIT “A”

From: [Danilo Argote \(IT\)](#)
To: [Gladys Gonzalez \(IT\)](#)
Subject: FW: City of Doral - Fiber proposal request
Date: Friday, May 01, 2015 11:36:26 AM
Attachments: [image001.png](#)
[image002.png](#)
[image004.png](#)
[image007.png](#)

Comcast 10G pricing. I can explain in detail is you need me to.

Regards,

Danilo Argote

Assistant IT Director

City of Doral

8401 NW 53rd Terrace

Doral, FL 33166

T (305) 593-6725 ext. 1708

Danilo.Argote@cityofdoral.com

www.cityofdoral.com

The City of Doral is on [Twitter](#), [Facebook](#) and [YouTube](#)!



From: Bravo, Alex [mailto:Alex_Bravo@cable.comcast.com]
Sent: Friday, May 01, 2015 11:24 AM
To: Danilo Argote (IT)
Subject: RE: City of Doral - Fiber proposal request

Mr. Argote,

Please find below 3 to 5 year projected pricing for 10G ENS combined (5G East + 5G West) and 20G ENS combined (10G East + 10G West) at below sites:

1. 5000 Mbps Enterprise Network Service (ENS) to City Hall PATH 1
2. 5000 Mbps Enterprise Network Service (ENS) to City Hall PATH 2 (diverse)

3. 5000 Mbps Enterprise Network Service (ENS) to City PD PATH 1
4. 5000 Mbps Enterprise Network Service (ENS) to PD PATH 2 (diverse)
5. 5000 Mbps Enterprise Network Service (ENS) to NAP PATH 1
6. 5000 Mbps Enterprise Network Service (ENS) to NAP PATH 2 (diverse)

MRC: \$11,640.00 or \$1,940.00 per port

NRC: \$7,500.00 or \$1,250 per port

7. 10G Enterprise Network Service (ENS) to City Hall PATH 1
8. 10G Enterprise Network Service (ENS) to City Hall PATH 2 (diverse)
9. 10G Enterprise Network Service (ENS) to City PD PATH 1
10. 10G Enterprise Network Service (ENS) to PD PATH 2 (diverse)
11. 10G Enterprise Network Service (ENS) to NAP PATH 1
12. 10G Enterprise Network Service (ENS) to NAP PATH 2 (diverse)

MRC: \$21,480.00 or \$3,580.00 per port

NRC: \$7,500.00 or \$1,250 per port

Please let me know if you need any additional pricing or revisions to the original quote.

Thank you,

Alex.

COMCAST

From: Bravo, Alex

Sent: Thursday, April 23, 2015 11:15 AM

To: 'Danilo Argote (IT)'

Cc: 'miguel.urrutia@cityofdoral.com'

Subject: RE: City of Doral - Fiber proposal request

Mr. Argote,

Please find attached Comcast INET proposal for the City of Doral (Logical Network Design included on page 3)

Service proposal overview:

1. 1000 Mbps Enterprise Dedicated Internet Service (EDI) to City Hall
2. 1000 Mbps Enterprise Dedicated Internet Service (EDI) to Police Department
3. 1000 Mbps Enterprise Dedicated Internet Service (EDI) to NAP

4. 1000 Mbps Enterprise Network Service (ENS) to City Hall PATH 1
5. 1000 Mbps Enterprise Network Service (ENS) to City Hall PATH 2 (diverse)
6. 1000 Mbps Enterprise Network Service (ENS) to City PD PATH 1
7. 1000 Mbps Enterprise Network Service (ENS) to PD PATH 2 (diverse)

8. 1000 Mbps Enterprise Network Service (ENS) to NAP PATH 1
9. 1000 Mbps Enterprise Network Service (ENS) to NAP PATH 2 (diverse)

10. 100 Mbps Enterprise Network Service (ENS) to Trails & Tails Park
11. 100 Mbps Enterprise Network Service (ENS) to Morgan Levy Park
12. 100 Mbps Enterprise Network Service (ENS) to Doral Meadows Park
13. 100 Mbps Enterprise Network Service (ENS) to Doral Central Park

All services are scalable to 10G immediately. Please let me know the next steps as to proceed with detail site surveys and executable documents.

Kind Regards,

Alex Bravo

Comcast Enterprise Solutions – Government – Education – Broadcasting.

305.796.6330 (Mobile) | 800-741-4141 (Enterprise Care)

alex_bravo@cable.comcast.com | www.Business.Comcast.com/Enterprise

ETHERNET PRIVATE LINE | DEDICATED INTERNET ACCESS | ETHERNET VIRTUAL PRIVATE LINE | ETHERNET NETWORK SERVICE

Telecom Diverse | Easily Scalable | High Capacity | 24/7 Support | MEF Certified Carrier Ethernet | Tailored Bandwidth Solutions

COMCAST
BUSINESS

[Click HERE for serviceable Markets](#)



From: Danilo Argote (IT) [<mailto:Danilo.Argote@cityofdoral.com>]

Sent: Wednesday, April 15, 2015 9:04 AM

To: Bravo, Alex

Cc: Gladys Gonzalez (IT)

Subject: City of Doral - Fiber proposal request

Hello Mr. Bravo, here are the locations and details for our fiber line needs

We are looking for dual diverse and redundant paths to the 3 main locations and any of the parks were it is feasible.

We are looking for dual/diverse interface handoffs to our server rooms.

We are looking for 1GB of internet from each of the 3 main site shared total aggregate among the 3 sites.

1GB scalable to 10GB within 5 years - 50 NE 9th Street (NAP Verizon Terremark)

1GB scalable to 10GB within 5 years - 8401 NW 53rd Street (City Hall)

1GB scalable to 10GB within 5 years - 6100 NW 99th Ave (Police/Public Works Building)

100Mb w/ Burst scalable to 1G within 5 years - 11645 NW 50th Street (Trails and Tails Park)
100Mb w/ Burst scalable to 1G within 5 years - 5300 NW 102nd Street (Morgan Levy Park)
100Mb w/ Burst scalable to 1G within 5 years - 11555 NW 58th Street (Meadows Park)
100Mb w/ Burst scalable to 1G within 5 years - 3000 NW 87th Ave (Doral Central Park)
Future - 100Mb w/ Burst scalable to 1G within 5 years – 11400 NW 82nd Street (114 Street Park)

Regards,

Danilo Argote

Assistant IT Director

City of Doral

8401 NW 53rd Terrace

Doral, FL 33166

T (305) 593-6725 ext. 1708

Danilo.Argote@cityofdoral.com

www.cityofdoral.com

The City of Doral is on [Twitter](#) , [Facebook](#) and [YouTube](#)!



Please note that the State of Florida's Public Records Laws provide that most written communications to or from the City of Doral regarding government business are public records available to the public upon request. This e-mail communication may therefore be subject to public disclosure.

Please note that the State of Florida's Public Records Laws provide that most written communications to or from the City of Doral regarding government business are public records available to the public upon request. This e-mail communication may therefore be subject to public disclosure.

EXHIBIT “B”



FPL
FiberNet

FPL FiberNet

Revised Proposal v3.5

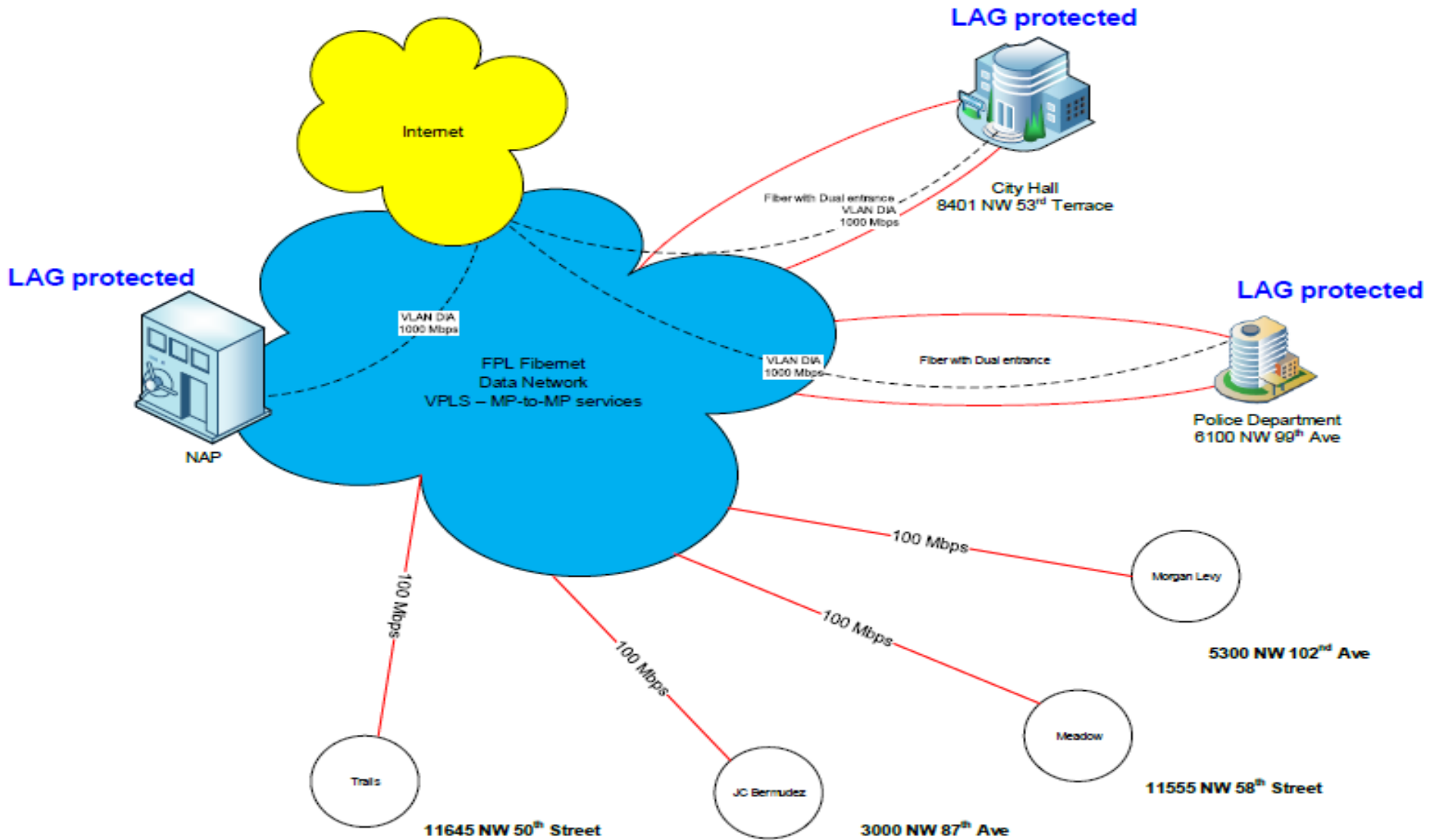


April 16th, 2015

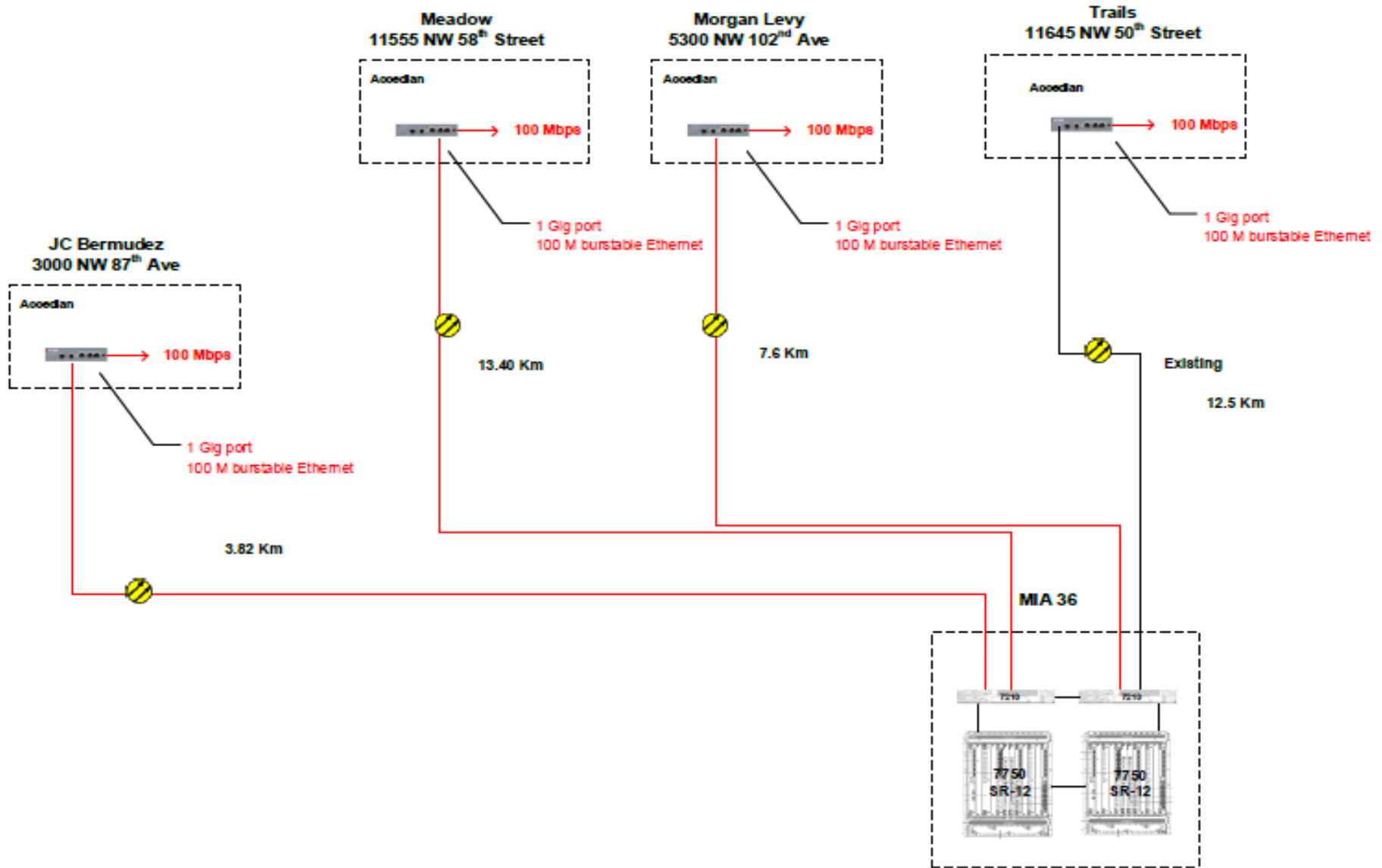
AGENDA

- **Overview of recent events**
- **Proposed network diagram**
- **Parks configuration diagram**
- **1GB diverse configurations**
- **10GB diverse configurations**
- **1GB pricing summary**
- **10GB price summary**
- **Contractual terms (upgrades & renewals)**
- **Why FiberNet**
- **Next Steps**

City of Doral – High Level Network Diagram

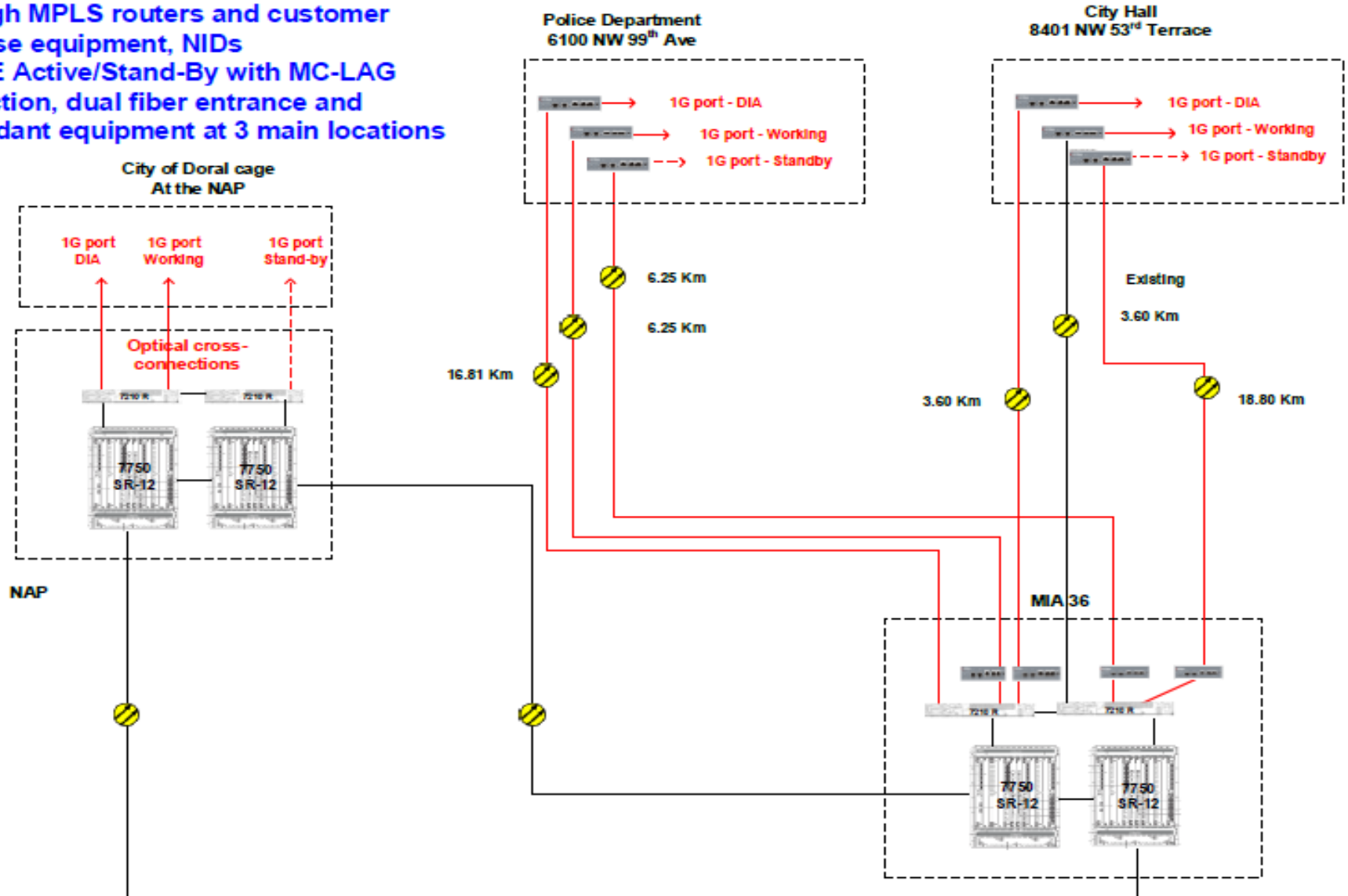


Parks Configuration



1 GB Diverse Configurations with 1GB Internet

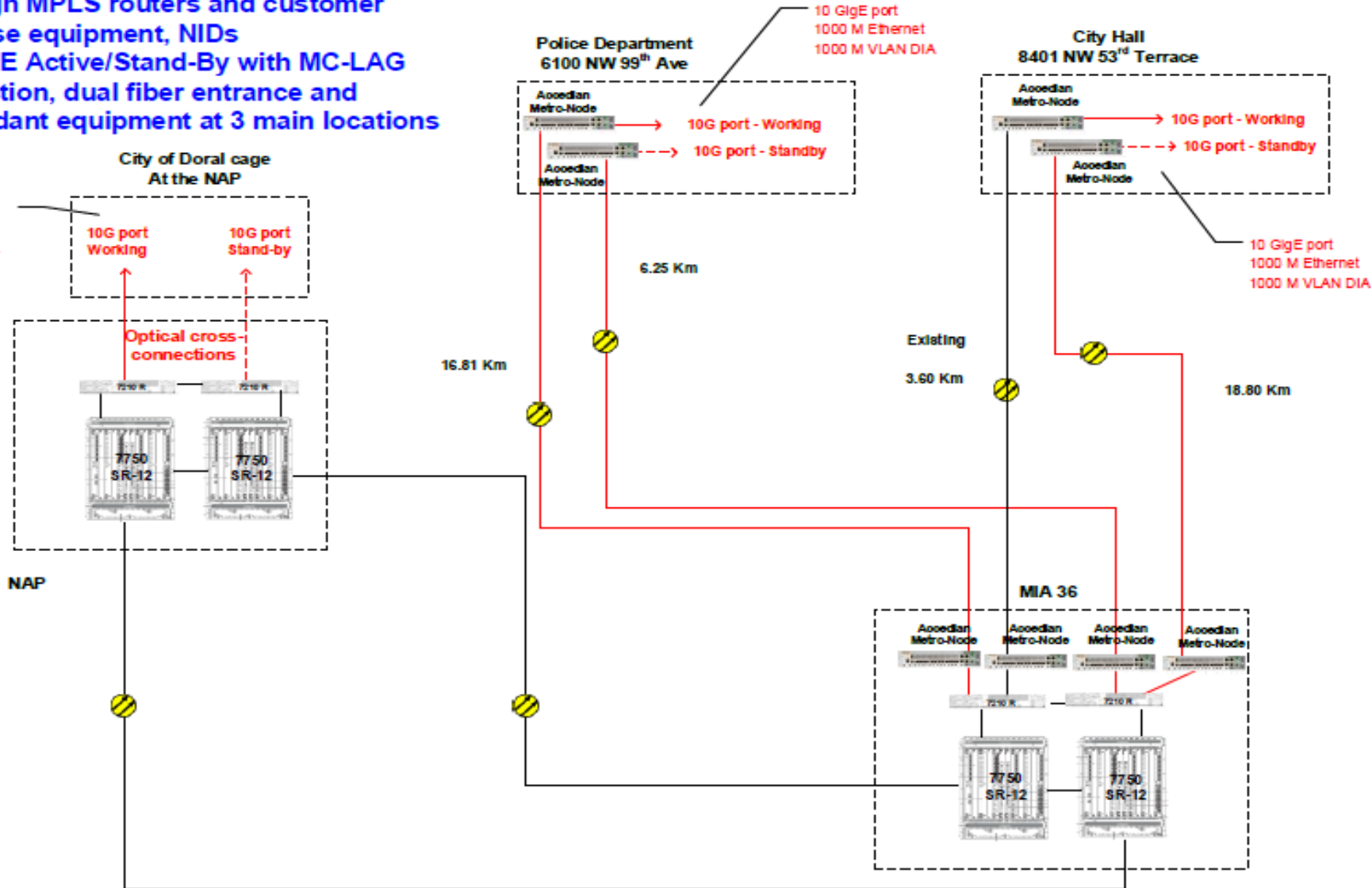
Request for High Availability services through MPLS routers and customer premise equipment, NIDs
 1 GigE Active/Stand-By with MC-LAG protection, dual fiber entrance and redundant equipment at 3 main locations



10GB Diverse Configurations with 1GB Internet

Request for High Availability services through MPLS routers and customer premise equipment, NIDs
 10 GigE Active/Stand-By with MC-LAG protection, dual fiber entrance and redundant equipment at 3 main locations

10 GigE port
 1000 M Ethernet
 1000 M VLAN DIA



1 GB Solution Pricing

Site	Address	Delivery Type	Circuit Type	Bandwidth	Dedicated Internet
Nap**	50 NE 9th St	Dual	Lag Protected	1 GB	1 GB
City Hall	8401 NW 53rd Terr	Dual	Lag Protected	1 GB	1 GB
Police Department**	6100 NW 99th Ave	Dual	Lag Protected	1 GB	1 GB
Trails Park	11645 NW 50th St	Single	Unprotected	100 Mbps Burstable	N/A
Morgan Levy Park	5300 NW 102nd Ave	Single	Unprotected	100 Mbps Burstable	N/A
Meadow Park	11555 NW 58th St	Single	Unprotected	100 Mbps Burstable	N/A
JC Bermudez Park	3000 NW 87th Ave	Single	Unprotected	100 Mbps Burstable	N/A
Total		MRC \$14,700	NRC \$0	Term 60 Months	

10 GB Solution Pricing

Site	Address	Delivery Type	Circuit Type	Bandwidth	Dedicated Internet
Nap**	50 NE 9th St	Dual	Lag Protected	10 GB Platform	1 GB
City Hall	8401 NW 53rd Terr	Dual	Lag Protected	10 GB Platform	1 GB
Police Department**	6100 NW 99th Ave	Dual	Lag Protected	10 GB Platform	1 GB
Trails Park	11645 NW 50th St	Single	Unprotected	100 Mbps Burstable	N/A
Morgan Levy Park	5300 NW 102nd Ave	Single	Unprotected	100 Mbps Burstable	N/A
Meadow Park	11555 NW 58th St	Single	Unprotected	100 Mbps Burstable	N/A
JC Bermudez Park	3000 NW 87th Ave	Single	Unprotected	100 Mbps Burstable	N/A
Total		MRC \$15,300	NRC \$0	Term 60 Months	

Contractual Terms

- **Upgrades:** Notwithstanding anything to the contrary in this Service Order or the Service Agreement, so long as Customer is not then in default and subject to FN's acceptance of the requisite change orders pursuant to the Service Agreement, Customer shall have the right to increase the bandwidth of the Services identified in this Service Order to 10 Gigabit provided to any of the locations at 50 NE 9th Street, Miami, Florida, 8401 NW 43rd Terrace, Doral, Florida, and 6100 NW 99th Avenue, Doral, Florida when the verifiable bandwidth utilization at such a location exceeds seventy-five percent (75%) of the committed utilization rate of 1 Gigabit for two (2) or more consecutive months during the Service Order Term. Further, Customer shall have the right to increase the bandwidth of the Services identified in this Service Order to 1 Gigabit provided to locations at 11645 NW 50th Street, Doral, Florida, 5300 NW 102nd Avenue, Doral, Florida, 11555 NW 58th Street, Doral, Florida and 3000 NW 87th Avenue, Doral, Florida. Any upgrade in Services contemplated herein shall be provided by FN in exchange for payment of an additional MRC of Two Hundred Dollars (\$200.00) per month per location to which such increased bandwidth is provided ("Upgrade MRC"), and the applicable NRC charged by FN for developing and processing the change order(s) necessary to implement the requested upgrade(s) ("Change Order NRC").

Contractual Terms Continued

•**Renewals:** Notwithstanding anything to the contrary in this Service Order or the Service Agreement, so long as Customer is not then in default and subject to all terms and conditions set forth in the Service Agreement, upon the expiration of the original sixty (60) month Service Order Term set forth above, Customer shall have the right to renew the Services then being provided to the locations set forth herein for three (3) additional consecutive twelve (12) month terms (each a “Service Order Renewal Term”) upon written notice delivered to FN no more than one hundred eighty (180) days, and no less than one-hundred twenty (120) days, prior to the expiration of the Service Order Term or the applicable Service Order Renewal Term. If Customer elects to renew the Services provided to these locations following expiration of the initial Service Order Term, the MRC for such Services shall be reduced by an amount equal to twenty percent (20%) of the MRC being charged for the Services as of the date FN receives notice of Customer’s election to renew (“Renewal Term MRC”). The Renewal Term MRC, and, if Customer elects to upgrade any Services identified herein during a Service Order Renewal Term, the Upgrade MRC and the Change Order NRC, shall constitute the monthly recurring and non-recurring charges due and owing by Customer for any Service Order Renewal Terms Customer elects to exercise as relates specifically to the Services identified in this Service Order.

Why FPL FiberNet

Customized solutions to meet your specific needs

- Diversity & redundancy
- Transparency & full disclosure
- No up front costs

•Implementation

- Assigned project management team
- Coordinated site surveys
- True 90 to 120 installation interval

•Customer service / support

- 24/7 network operations center in Doral
- Self escalating trouble ticket protocol
- Department specific escalation paths
- Dedicated account team



FPL
FiberNet

Next Steps